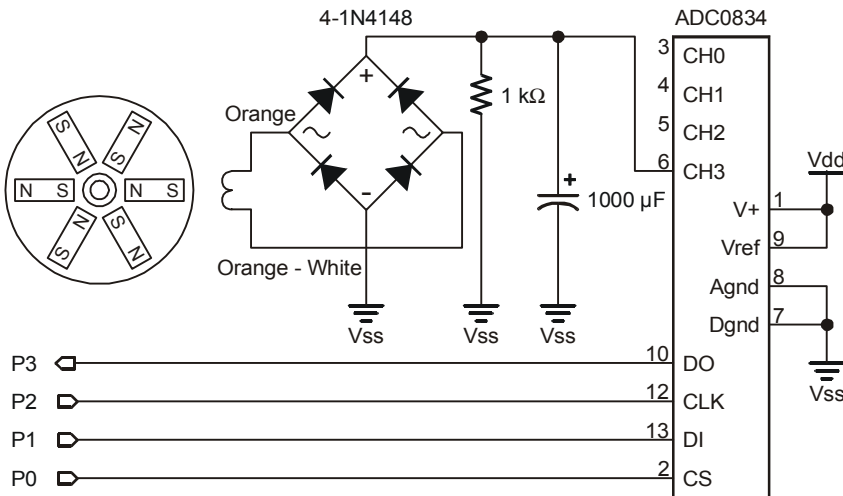


## Experiments with Renewable Energy v1.0 Errata

Please note – these errors have been corrected in v1.0a, posted for download at [www.parallax.com](http://www.parallax.com) as of 1-5-2005. The 1.0a revision has the same pagination as the original v1.0.

**Page 168**, Figure 5-26: Replace the schematic shown with the one below. The wiring diagram shown in Figure 5-27 is correct.



In the PBASIC program listing `AlternatorPhase1.bs2`, one value needs to be changed in the subroutine `Exp_5_Inc_EepromAddr`:


```
IF (eepromAddr >= $0400) THEN
```

should read

```
IF (eepromAddr >= $0300) THEN
```

This error is found in the pseudocode comments on **page 198**, code listing on **page 201**, and in the code snippet on **page 204**.

**Page 205:** The corresponding information box on should read:



**We don't want to overwrite our PBASIC code!** Our program code occupies from about address 960 (\$3C0) to 2047 (\$7FF). Therefore, the subroutine tests the absolute address of the `eepromAddr` pointer to determine if it will encroach into the area of EEPROM where our program code is stored. We test it at 768 (\$300), which is sufficiently away from the last program byte. If we've just incremented it at or above this value, we must reset the `eepromAddr` pointer back to 0000. In effect, we will be using EEPROM from 0000 to 768 (\$000 → \$300) for storing data samples.

**Page 208:** this value should also be changed in the code snippet and explanatory paragraphs

“The `IF...THEN` statement tests for our EEPROM address limit, which we have chosen as \$300 or 768.”

“If you left the power to the Board of Education on twenty-four hours a day – AND – if the wind turbine were spinning all of that time, the life of our EEPROM would be 10 years.”

**Page 209:** 10 months/bank \* 12 banks = 120 months / 12 months / year = 10 years

**Page 250:** Change \$0400 to \$0300 in `AlternatorPhase1-2-3-R.bs2` in Appendix B. The set of programs posted to [www.parallax.com](http://www.parallax.com) as of 1/5/2005 have been corrected and do not contain this error.

If you find any other errata, please email [editor@parallax.com](mailto:editor@parallax.com).